

# LIFETIME<sup>FDL</sup> LINEAR

INNOVATIVE OPERATING CONCEPT WITH A LINEAR MOVEMENT

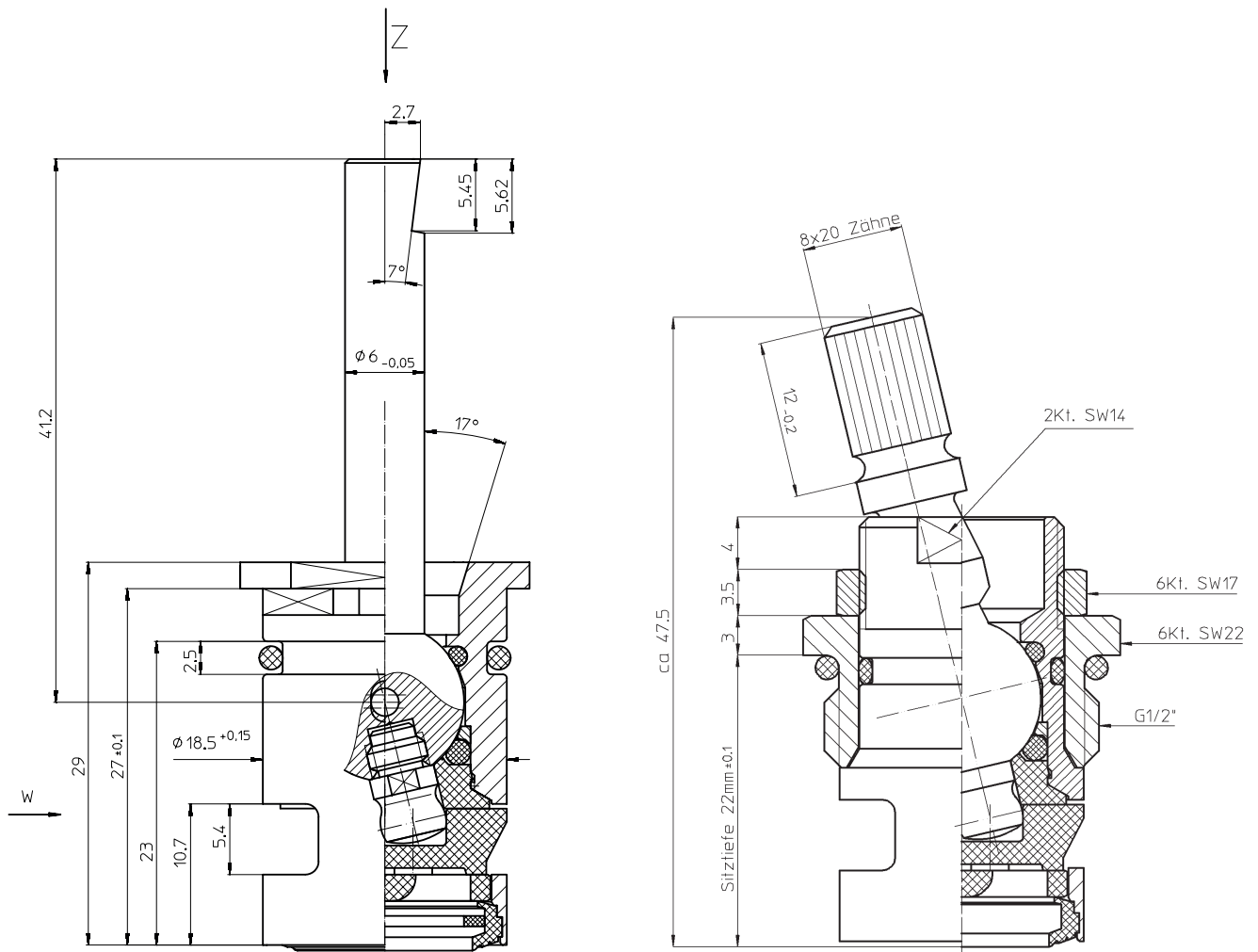


## IMPORTANT FEATURES OF LIFETIME LINEAR:

- **Innovative control:** New water control opportunities, e.g. as a toggle switch
- **Different possible applications:** Sole usage as an on/off valve or as a diverter by using 2 or 3 valves at the same time
- **Certificates available for the following countries:** Germany, United Kingdom
- **Future possible certificates for the following countries:** France

# LIFETIME<sup>FDL</sup> LINEAR

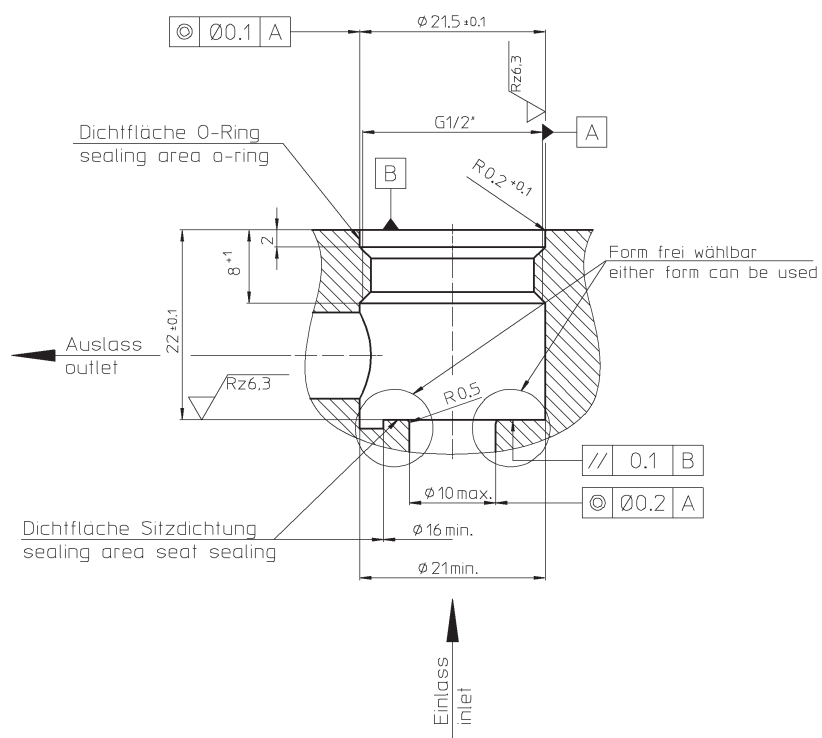
## TECHNICAL DRAWING





# LIFETIME<sup>FDL</sup> LINEAR

## SEAT RECOMMENDATION



# LIFETIME<sup>FDL</sup> LINEAR

## FLOW-CHART

