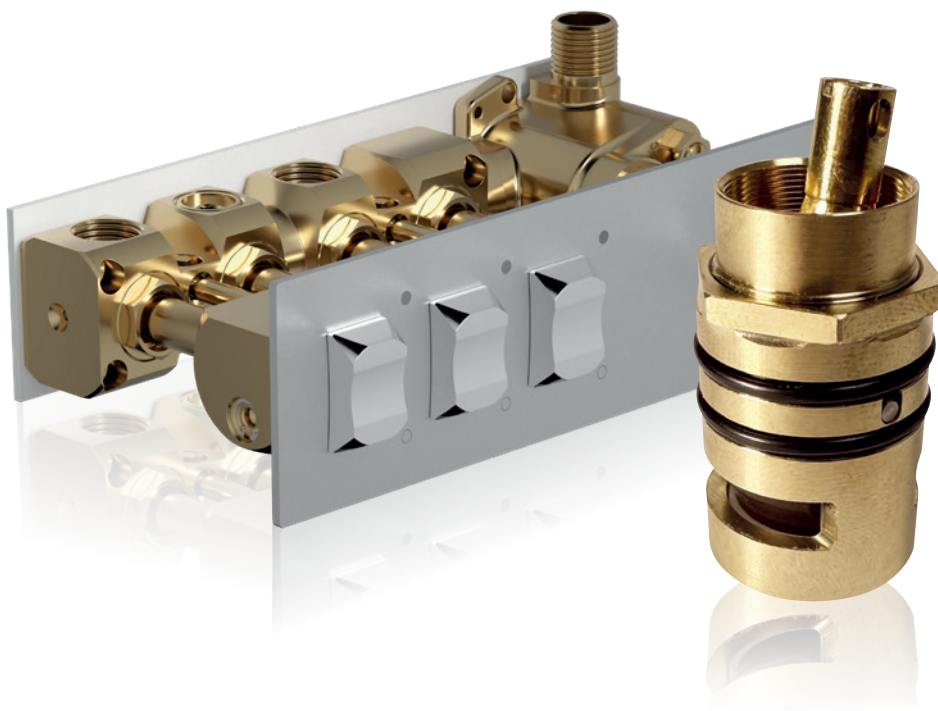


# SLIDE2DIVERT<sup>FDL</sup>

INNOVATIVE OPERATING CONCEPT WITH SLIDE CONTROL

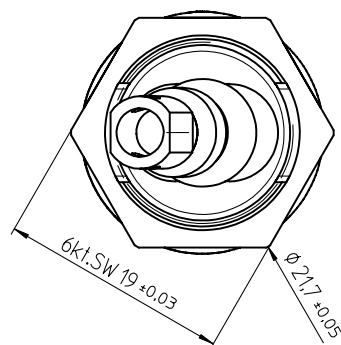
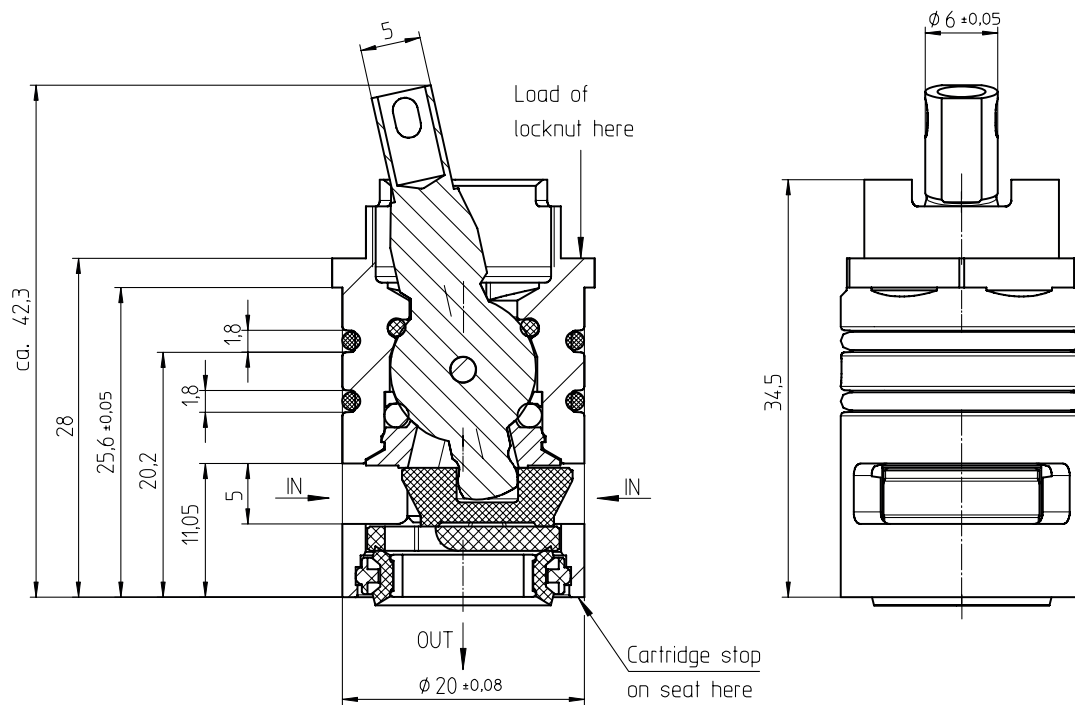


## IMPORTANT FEATURES OF SLIDE2DIVERT:

- **Innovative control:** Brand new water control concept
- **Different possible applications:** Sole usage as an on/off valve or as a diverter by using 2 or 3 valves at the same time
- **Linear operation:** The cartridge is used with a linear movement of the handle – slide control
- **Certificates available for the following countries:** Germany

# SLIDE2DIVERT<sup>FDL</sup>

## TECHNICAL DRAWING



# SLIDE2DIVERT<sup>FDL</sup>

## SEAT RECOMMENDATION

